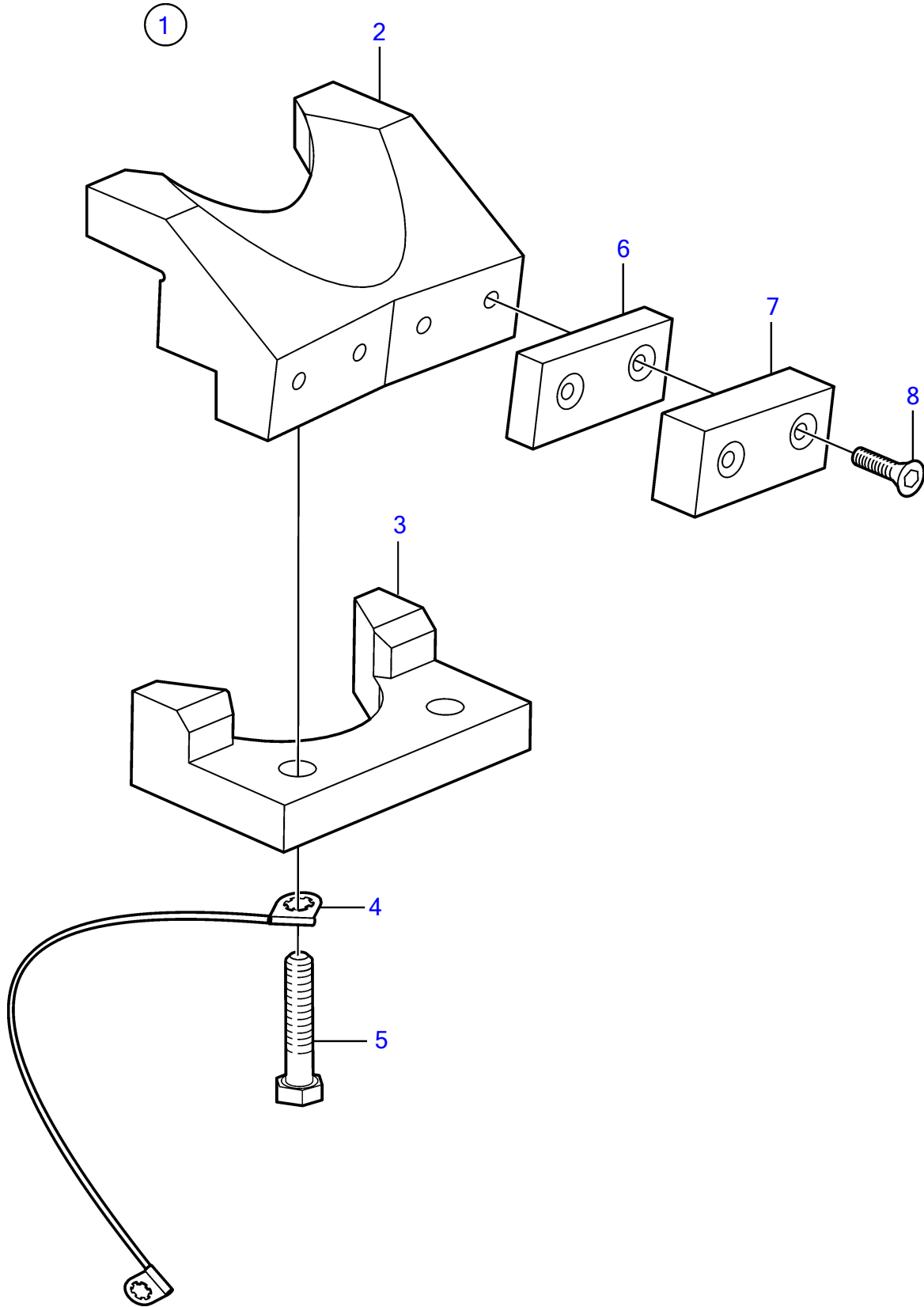


SX-M, SX-MLT, SX-MDA, SX-MDB, SX-MHP, SX-MACLT, SX-MAC, SX-MDC, SX-MBAC



SX-M, SX-MLT, SX-MDA, SX-MDB, SX-MHP, SX-MACLT, SX-MAC, SX-MDC, SX-MBAC

REF	PART NO.	QTY	DESCRIPTION	NOTES
1	3857598	1	Set	Trim limit
2	(3857973)	1	• Spacer	Obsolete part
3	(3857908)	1	• Clamp	Obsolete part
4	3853849	1	• Chassis ground cable	
5	963581	2	• Screw	
6	(3857909)	1	• Spacer	Obsolete part
7	(3857919)	1	• Spacer	Obsolete part
8	981609	4	• Hex. socket screw	